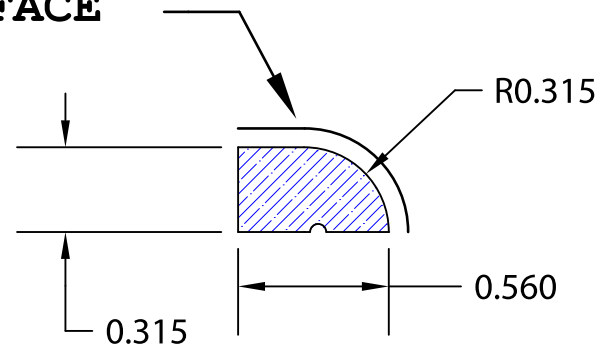


SHOW SURFACE



MATERIAL	CODE	PROFILE	DIMENSIONS
CELLULAR PVC	Part # 2650	Shoe Moulding	5/16" x 9/16"