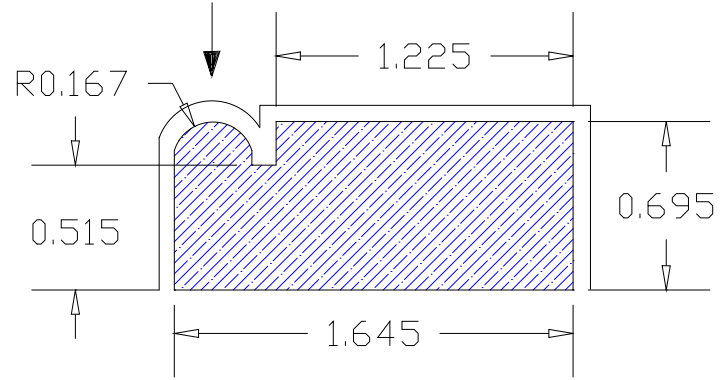


SHOW SURFACE



MATERIAL	CODE	PROFILE	DIMENSIONS
CELLULAR PVC	Florida Brickmould	Florida Brick Mould	11/16" x 1-5/8"