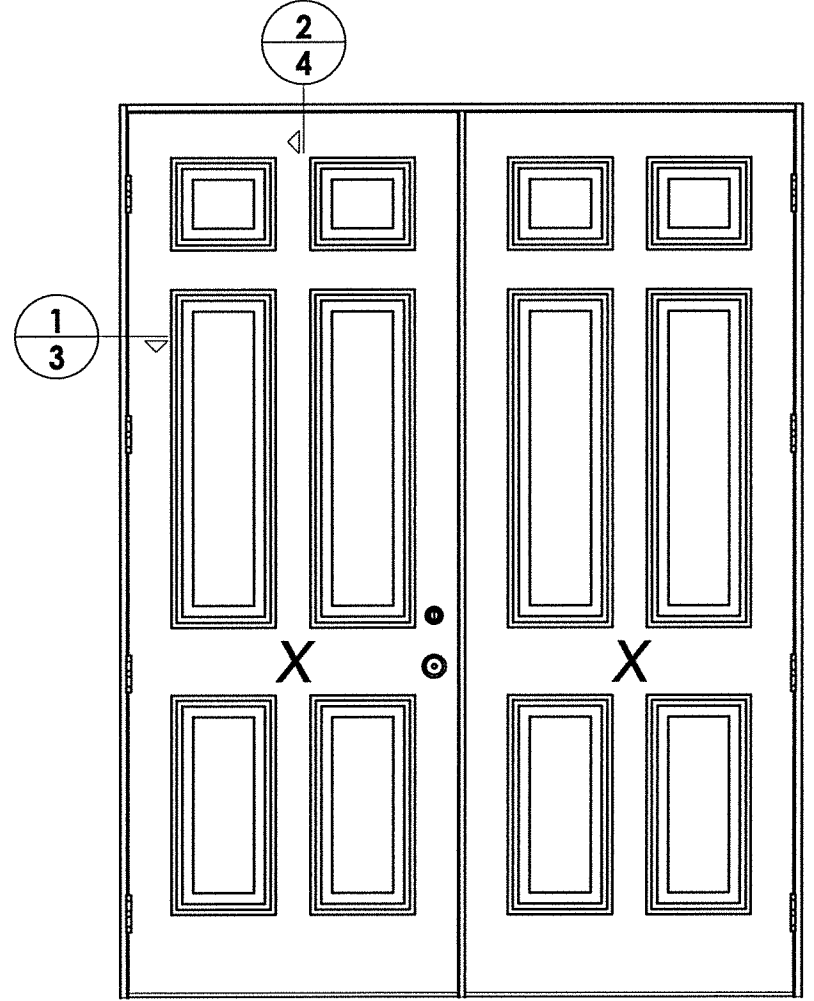
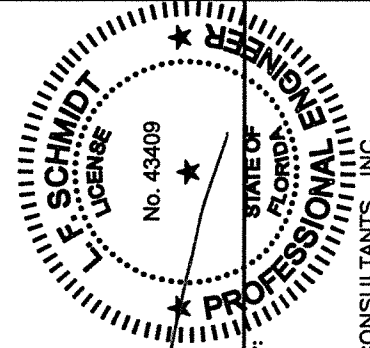


SINGLE DOOR ELEVATION



DOUBLE DOOR ELEVATION



LFS
 7.13.17

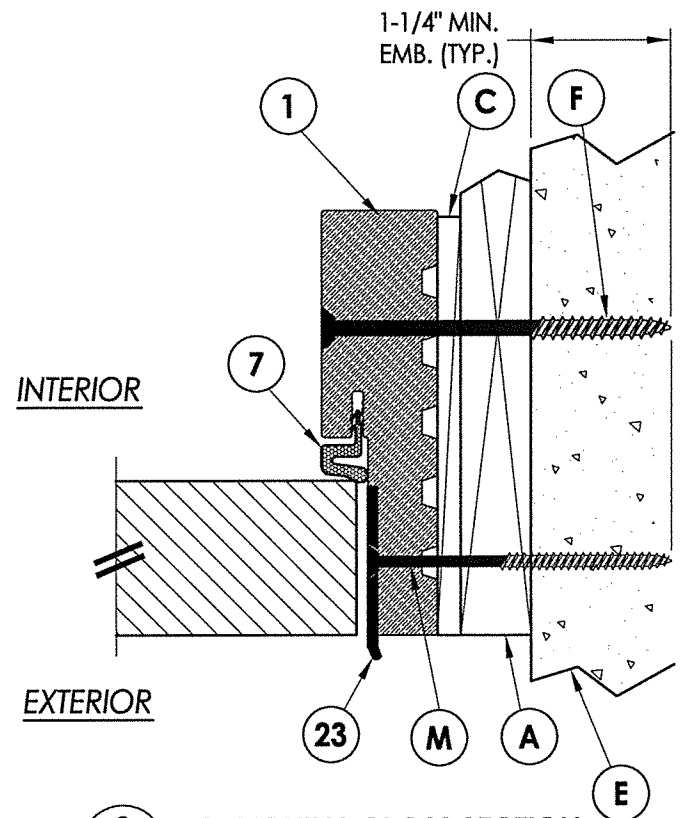
Documents Prepared By:
 Lyndon F. Schmidt
 P.E. No. 43409

RW BUILDING CONSULTANTS, INC.
 P.O. Box 230, Valrico, FL 33595
 Phone No.: 813.659.9197
 FBPE C.A. No. 9813

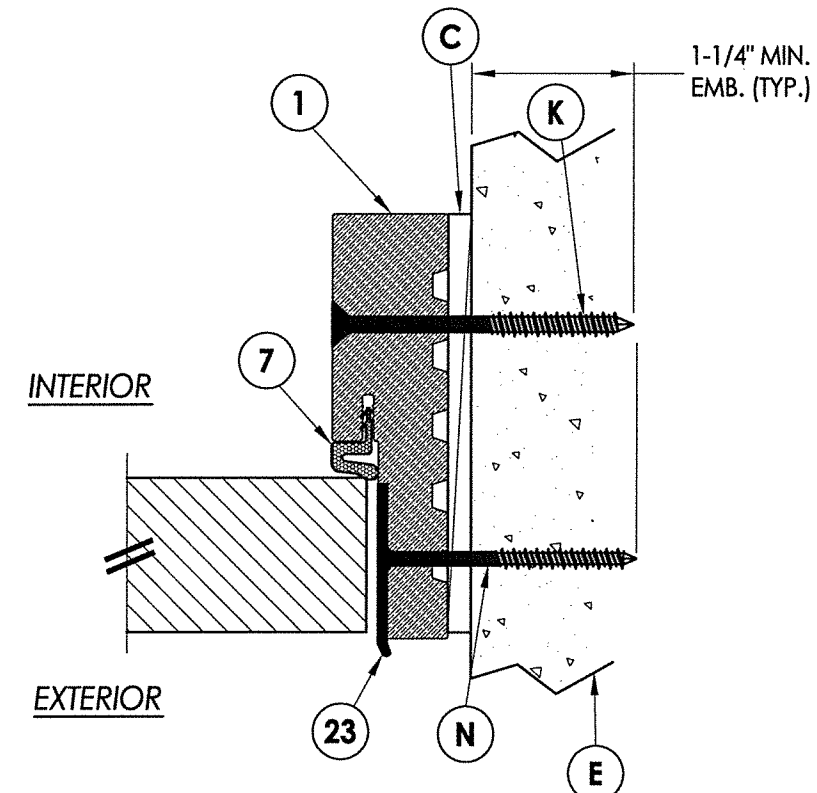
PRODUCT: Vi-LUX COMPONENTS	
PART OR ASSEMBLY: ELEVATIONS	
NO.	DATE
1	7/13/17
UPDATE TO 6TH ED. (2017) FBC	
LFS	BY
REVISIONS	

DATE: 7/21/16
 SCALE: N.T.S.
 DWG. BY: JK
 CHK. BY: LFS
 DRAWING NO.: FL-20868.1
 SHEET 2 OF 7

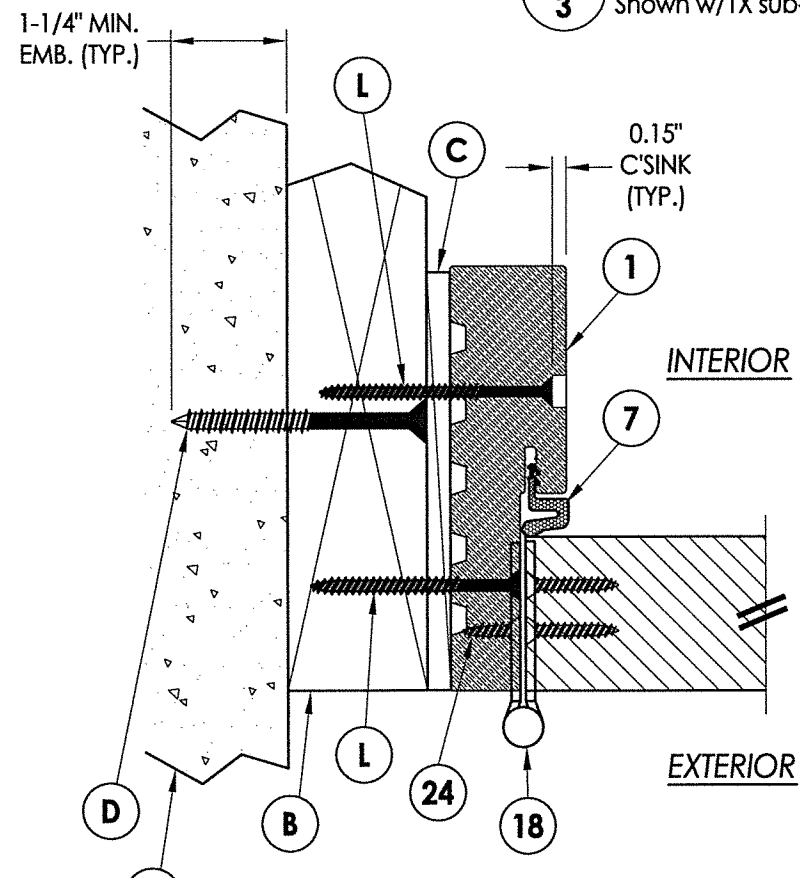
R:\Clients\Vi-Lux Building Products PERMANENT\A - Florida Product Approvals\FL-20868\C - Drawings\FL-20868.dwg, 3.1



2 HORIZONTAL CROSS SECTION
3 Shown w/1X sub-buck

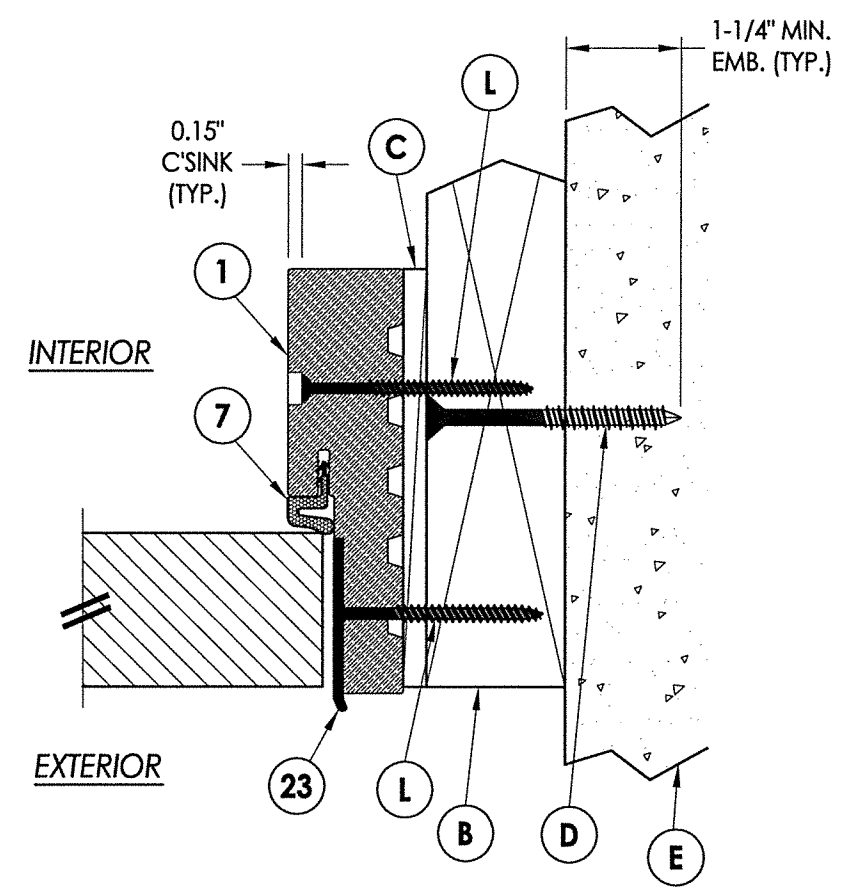


3 HORIZONTAL CROSS SECTION
3 Shown Direct to masonry

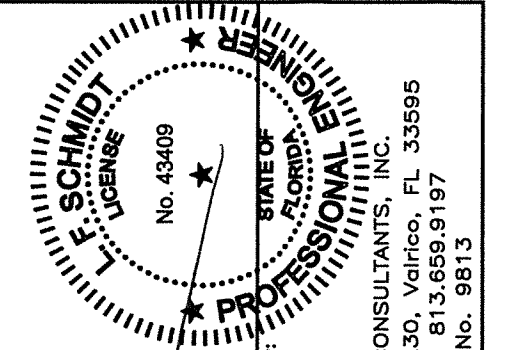


1 HORIZONTAL CROSS SECTION
3 2X Buck Construction

Note:
 See separate Side-hinged door
 Product Approval for door construction details
 not shown, including lock hardware, astragal, hinge
 and threshold connections.



4 HORIZONTAL CROSS SECTION
3 2X Buck Construction



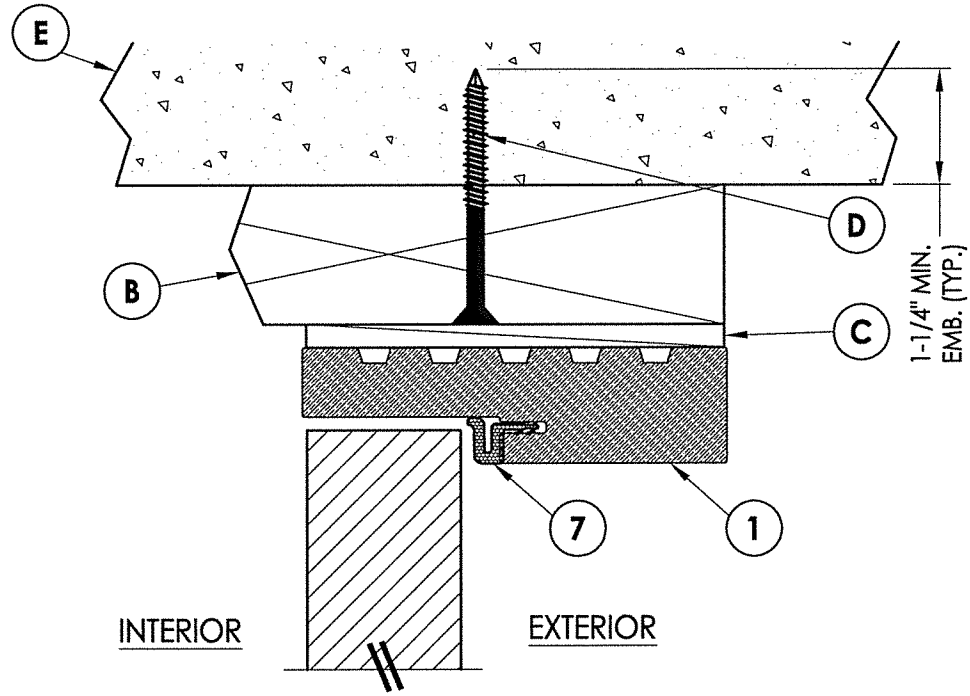
LFS
 7.17.17

Documents Prepared By:
 Lyndon F. Schmidt
 P.E. No. 43409

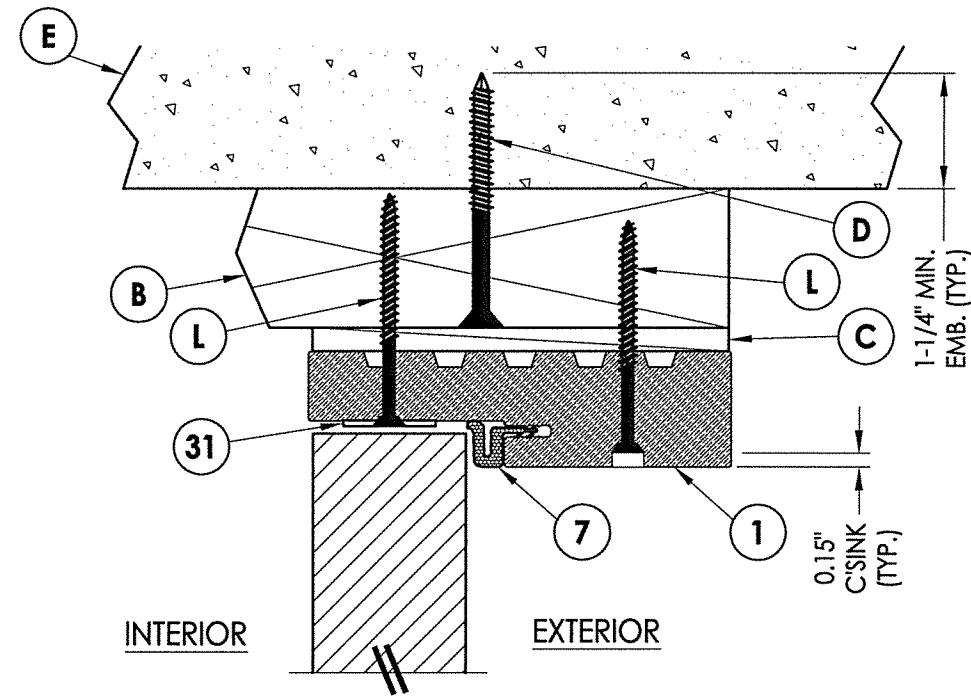
RW
 BUILDING CONSULTANTS, INC.
 P.O. Box 230, Valrico, FL 33595
 Phone No.: 813.659.9197
 FBPE C.A. No. 9813

PRODUCT:	Vi-LUX COMPONENTS
PART OR ASSEMBLY:	HORIZONTAL CROSS SECTIONS
DATE:	7/21/16
SCALE:	N.T.S.
DWG. BY:	JK
CHK. BY:	LFS
DRAWING NO.:	FL-20868.1
SHEET	3 OF 7

NO.	DATE	BY	REVISIONS
1	7/13/17	FBC	UPDATE TO 6TH ED. (2017)

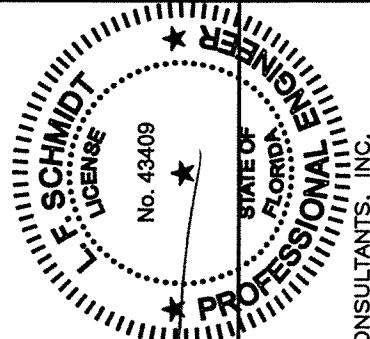


1
4 **VERTICAL CROSS SECTION**
2X Buck Construction - Single door



2
4 **VERTICAL CROSS SECTION**
2X Buck Construction - Double door

Note:
See separate Side-hinged door
Product Approval for door construction details
not shown, including lock hardware, astragal, hinge
and threshold connections.

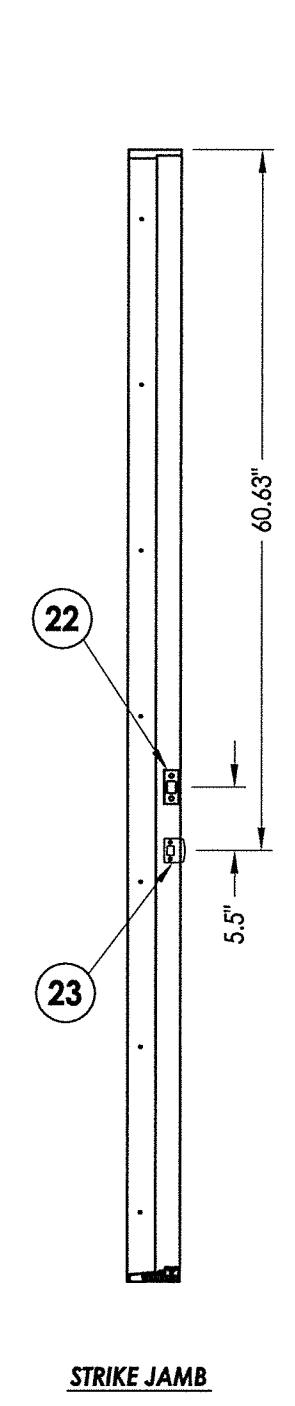
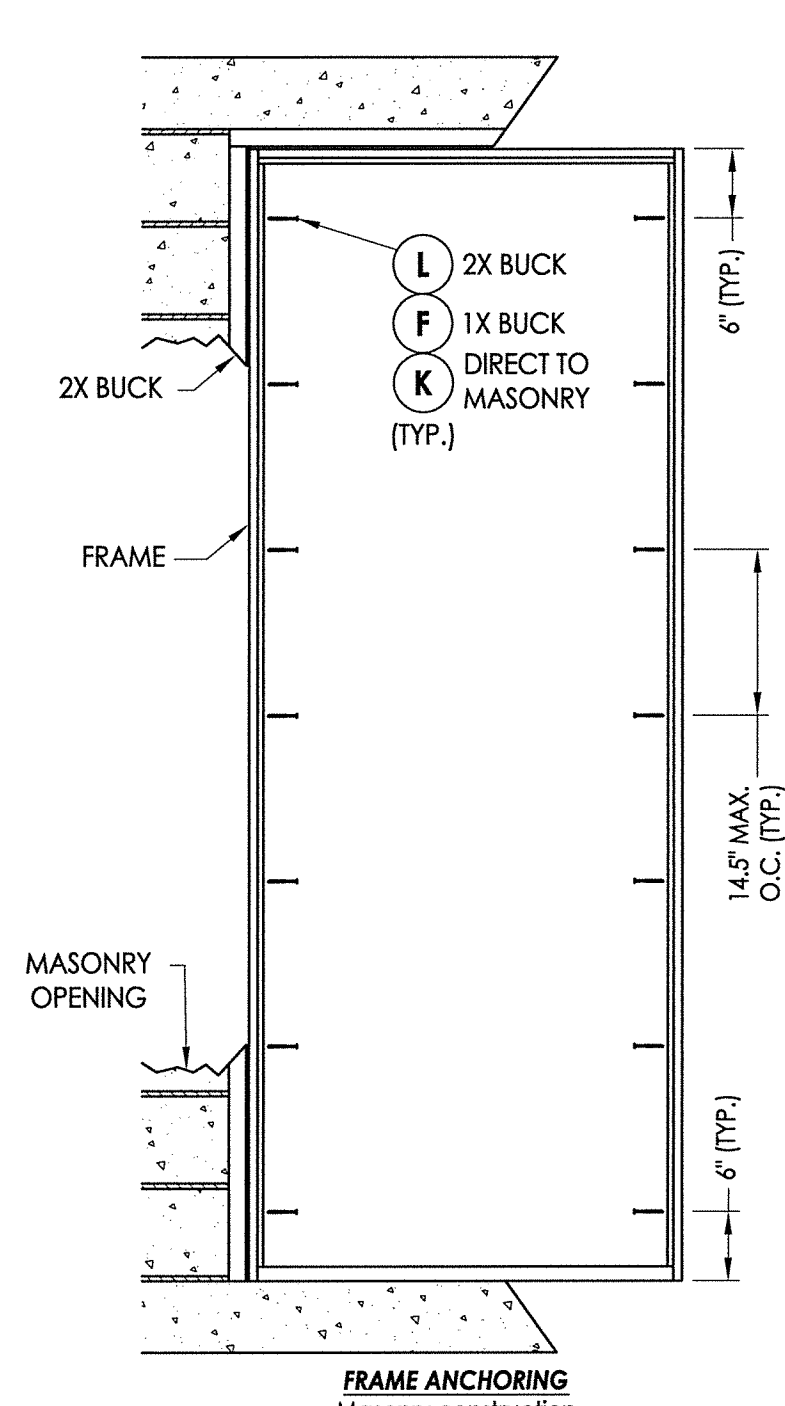
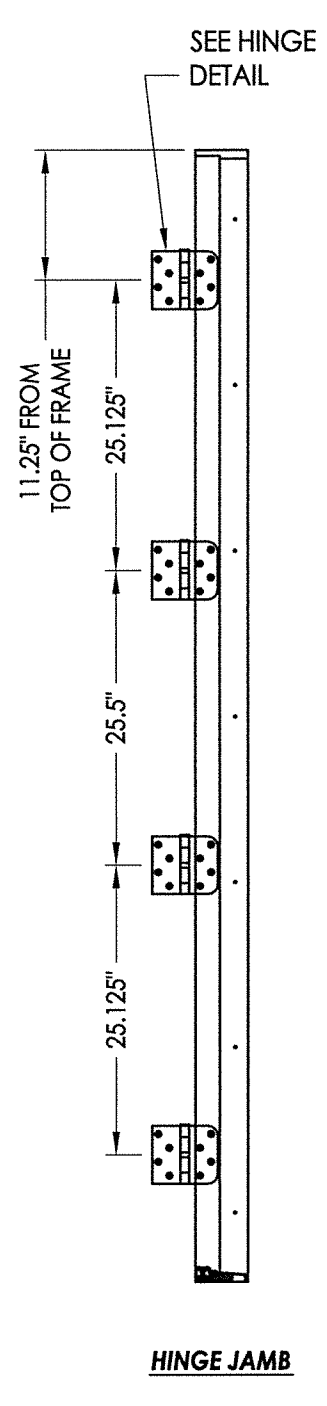
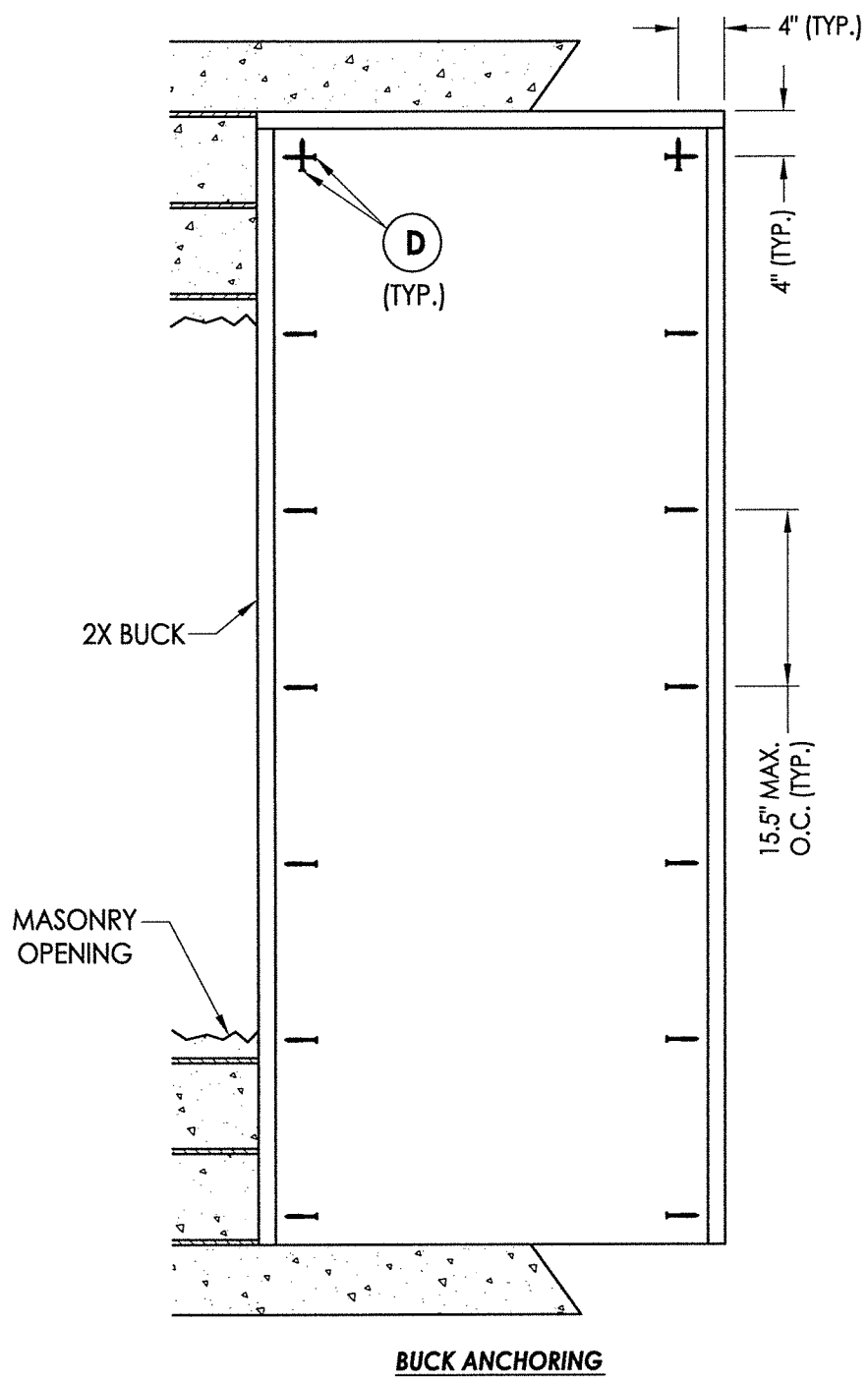


LFS
7.13.17

Documents Prepared By:
Lyndon F. Schmidt
P.E. No. 43409

RW
BUILDING CONSULTANTS, INC.
P.O. Box 230, Valrico, FL 33595
Phone No.: 813.659.9197
FBPE C.A. No. 9813

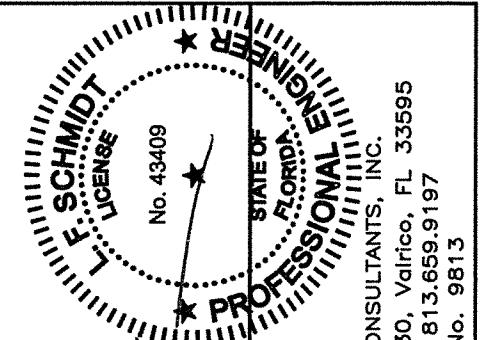
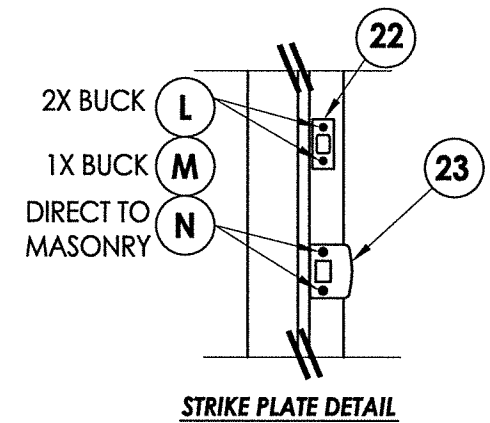
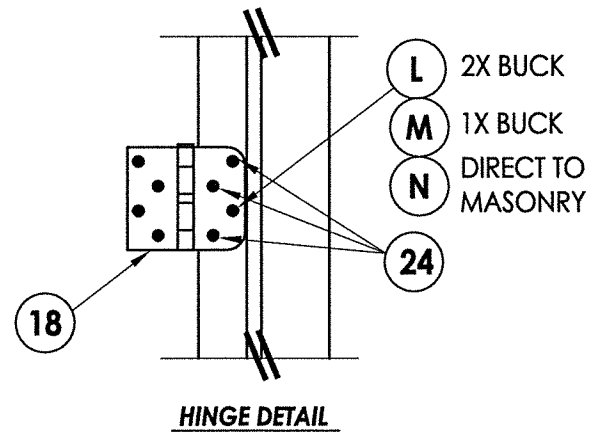
PRODUCT:	VI-LUX COMPONENTS	
PART OR ASSEMBLY:	VERTICAL CROSS SECTIONS	
NO.	DATE	BY
1	7/13/17	LFS
UPDATE TO 6TH ED. (2017) FBC		
REVISIONS		
DATE:	7/21/16	
SCALE:	N.T.S.	
DWG. BY:	JK	
CHK. BY:	LFS	
DRAWING NO.:	FL-20868.1	
SHEET	4	OF 7



- CONCRETE ANCHOR NOTES:**
- Concrete anchor locations at the corners may be adjusted to maintain the min. edge distance to mortar joints.
 - Concrete anchor locations noted as "MAX. ON CENTER" must be adjusted to maintain the min. edge distance to mortar joints, additional concrete anchors may be required to ensure the "MAX. ON CENTER" dimension are not exceeded.
 - Concrete anchor table:

ANCHOR TYPE	ANCHOR SIZE	MIN. EMBEDMENT	MIN. CLEARANCE TO MASONRY EDGE	MIN. CLEARANCE TO ADJACENT ANCHOR
ITW TAPCON®	3/16"	1-1/4"	3"	1-1/2"
ITW TAPCON®	1/4"	1-1/4"	2"	4"
ELCO ULTRACON®	1/4"	1-1/4"	1"	4"

Note:
See separate Side-hinged door Product Approval for door construction details not shown, including lock hardware, astragal, hinge and threshold connections.

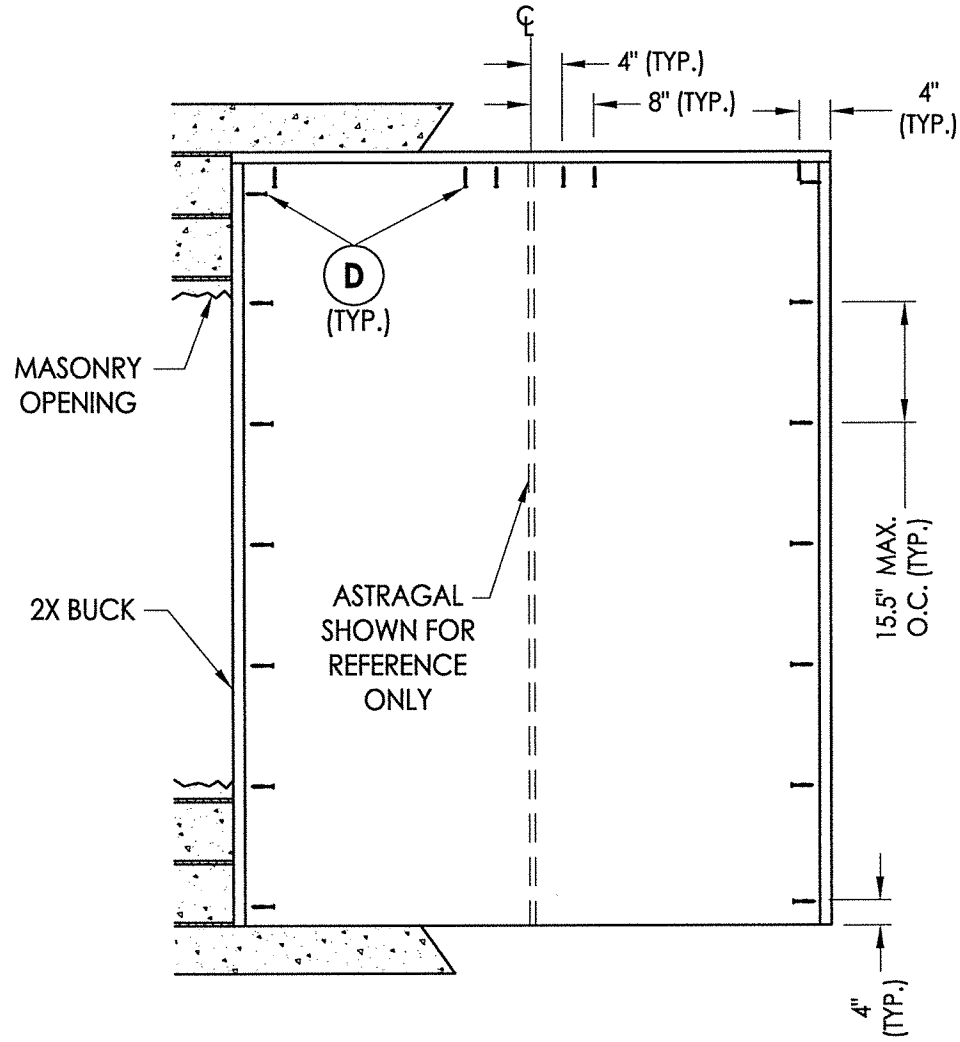


Documents Prepared By:
Lyndon F. Schmidt
P.E. No. 43409

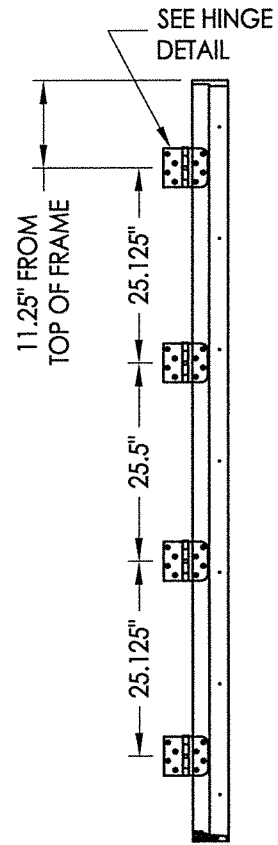
RW BUILDING CONSULTANTS, INC.
P.O. Box 230, Valrico, FL 33595
Phone No.: 813.659.9197
FBPE C.A. No. 9813

PRODUCT:	VI-LUX COMPONENTS
PART OR ASSEMBLY:	BUCK AND FRAME ANCHORING
DATE	7/21/16
SCALE	N.T.S.
DWG. BY	JK
CHK. BY	LFS
DRAWING NO.:	FL-20868.1
SHEET	5 OF 7

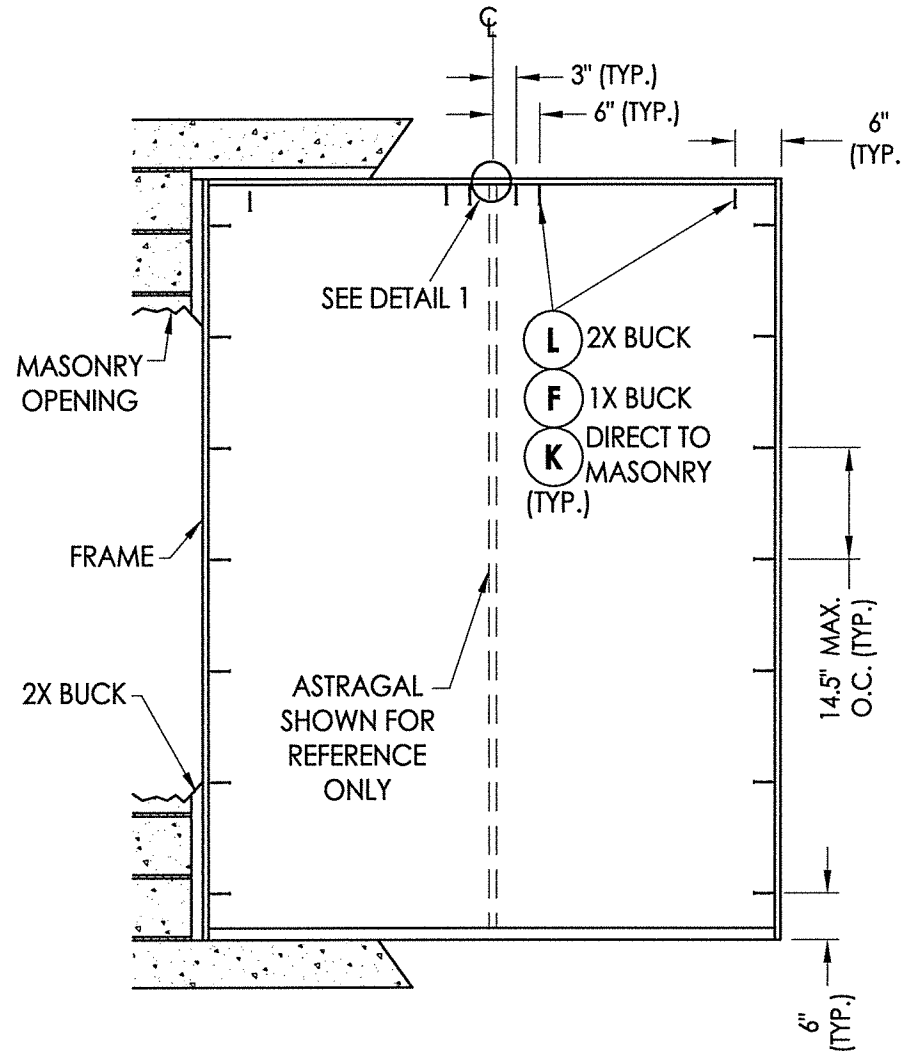
R:\Clients\Vi-Lux Building Products PERMANENT\A - Florida Product Approvals\FL-20868C - Drawings\FL-20868.dwg, 6.1



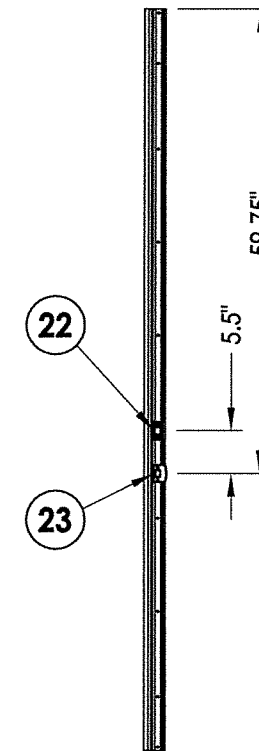
BUCK ANCHORING



HINGE JAMB



FRAME ANCHORING
Masonry construction

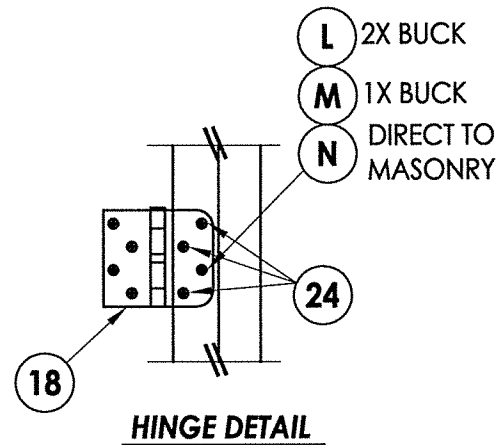


ASTRAGAL

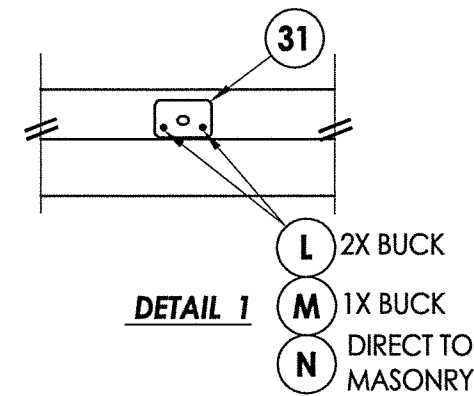
CONCRETE ANCHOR NOTES:

1. Concrete anchor locations at the corners may be adjusted to maintain the min. edge distance to mortar joints.
2. Concrete anchor locations noted as "MAX. ON CENTER" must be adjusted to maintain the min. edge distance to mortar joints, additional concrete anchors may be required to ensure the "MAX. ON CENTER" dimension are not exceeded.
3. Concrete anchor table:

ANCHOR TYPE	ANCHOR SIZE	MIN. EMBEDMENT	MIN. CLEARANCE TO MASONRY EDGE	MIN. CLEARANCE TO ADJACENT ANCHOR
ITW TAPCON®	3/16"	1-1/4"	3"	1-1/2"
ITW TAPCON®	1/4"	1-1/4"	2"	4"
ELCO ULTRACON®	1/4"	1-1/4"	1"	4"



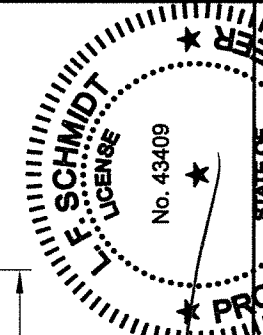
HINGE DETAIL



DETAIL 1

Note:

See separate Side-hinged door Product Approval for door construction details not shown, including lock hardware, astragal, hinge and threshold connections.



7/3/17
LFS

Documents Prepared By:
Lyndon F. Schmidt
P.E. No. 43409

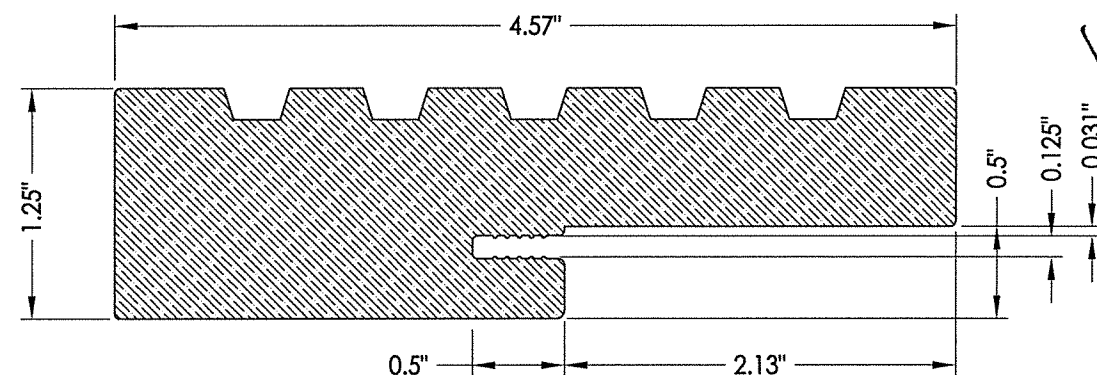
R.W. BUILDING CONSULTANTS, INC.
P.O. Box 230, Vairico, FL 33595
Phone No.: 813.659.9197
FBPE C.A. No. 9813

PRODUCT:	VI-LUX COMPONENTS
PART OR ASSEMBLY:	BUCK AND FRAME ANCHORING
DATE:	7/21/16
SCALE:	N.T.S.
DWG. BY:	JK
CHK. BY:	LFS
DRAWING NO.:	FL-20868.1
SHEET	6 OF 7

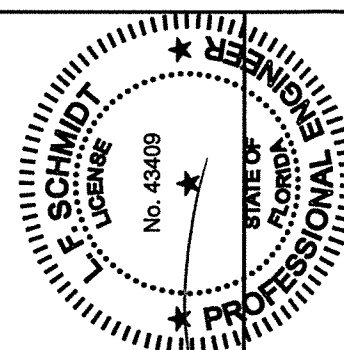
R:\Clients\Vi-Lux Building Products PERMANENT\A - Florida Product Approvals\FL-20868\C - Drawings\FL 20868 (2017)\FL-20868.dwg, 7.1

BILL OF MATERIALS

ITEM #	DESCRIPTION	MATERIAL
A	1X BUCK (SG >= 0.55)	WOOD
B	2X BUCK (SG >= 0.55)	WOOD
C	1/4" MAX. SHIM SPACE	-
D	1/4" X 2-3/4" PFH ELCO OR ITW CONCRETE SCREW	STEEL
E	MASONRY - 3,000 PSI MIN. CONCRETE CONFORMING TO ACI 301 OR HOLLOW BLOCK CONFORMING TO ASTM C90	CONCRETE
F	1/4" X 3-3/4" PFH ELCO OR ITW CONCRETE SCREW	STEEL
L	#10 X 2-1/2" PFH WOOD SCREW (1.15" MIN. EMBEDMENT)	STEEL
K	1/4" X 3-1/4" PFH ELCO OR ITW CONCRETE SCREW	STEEL
M	3/16" X 3-1/4" PFH ITW CONCRETE SCREW	STEEL
N	3/16" X 2-3/4" PFH TW CONCRETE SCREW	STEEL
1	HEAD AND JAMB	COMPOSITE
7	WEATHERSTRIP (Q-LON)	FOAM
18	4" X 4" HINGE	STEEL
22	DEADBOLT STRIKE PLATE	STEEL
23	LATCH STRIKE PLATE	STEEL
24	#10 X 3/4" PFH SMS	STEEL
31	ASTRAGAL STRIKE PLATE	STEEL



1 HEAD & SIDE JAMB



LFS
7.13.17

Documents Prepared By:
Lyndon F. Schmidt
P.E. No. 43409

R.W. BUILDING CONSULTANTS, INC.
P.O. Box 230, Valrico, FL 33595
Phone No.: 813.659.9197
FBPE C.A. No. 9813

PRODUCT: Vi-LUX COMPONENTS

PART OR ASSEMBLY:
BILL OF MATERIALS & COMPONENTS

NO.	DATE	REVISIONS
1	7/13/17	UPDATE TO 6TH ED. (2017) FBC

DATE:	7/21/16
SCALE:	N.T.S.
DWG. BY:	JK
CHK. BY:	LFS
DRAWING NO.:	FL-20868.1
SHEET	7 OF 7